



// ONE BRAND // ONE SOURCE // ONE SYSTEM

QUESTIONNAIRE REMASCREEN

CUSTOMER			
Request from:		Date:	
Customer:		Address:	
(Customer2)		(Address2)	
ZIP Code:		Location:	
Country:			
Contact:	Mobile		
	Mail		
Sales employee RTT	Mobile		
	Mail		

SCREEN MACHINE					
Manufacturer:				Dimension:	
Machine type:				Number of decks:	piece
Machine inclination:	degree		Clear width:	mm	
Vibration type:	<input type="checkbox"/> circle	<input type="checkbox"/> linear	<input type="checkbox"/> ellipse	vibration width: mm	
Deck1:	<input type="checkbox"/> Cross tensioner	<input type="checkbox"/> Longitudinal tensioner	<input type="checkbox"/> Modules	<input type="checkbox"/> Frames	<input type="checkbox"/> Flip flow
Deck2:	<input type="checkbox"/> Cross tensioner	<input type="checkbox"/> Longitudinal tensioner	<input type="checkbox"/> Modules	<input type="checkbox"/> Frames	<input type="checkbox"/> Flip flow
Deck3:	<input type="checkbox"/> Cross tensioner	<input type="checkbox"/> Longitudinal tensioner	<input type="checkbox"/> Modules	<input type="checkbox"/> Frames	<input type="checkbox"/> Flip flow
Location:	<input type="checkbox"/> Outdoors	<input type="checkbox"/> Hall			
Feed size:	mm	Drop height:	Impact on blind floor:	<input type="checkbox"/> Y	<input type="checkbox"/> N

PROPERTIES SCREEN MATERIAL						
Material ref:				Watering:	<input type="checkbox"/> Y	<input type="checkbox"/> N
Characteristics:	<input type="checkbox"/> moist	<input type="checkbox"/> dry	<input type="checkbox"/> round	<input type="checkbox"/> elongated	<input type="checkbox"/> smooth	
	<input type="checkbox"/> sharp-edged	<input type="checkbox"/> crushed	<input type="checkbox"/> natural	<input type="checkbox"/> caking	<input type="checkbox"/> greasy/oily	
	<input type="checkbox"/> hot °C	<input type="checkbox"/> Mikrobess	<input type="checkbox"/> Hydrolysis			
Bulk weight:	t/m ³	Screen capacity:	m ³ /h			

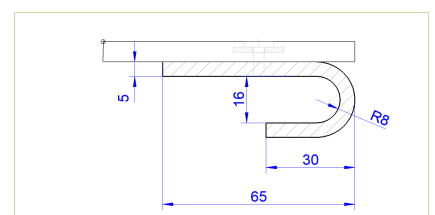
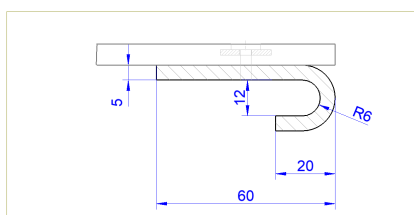
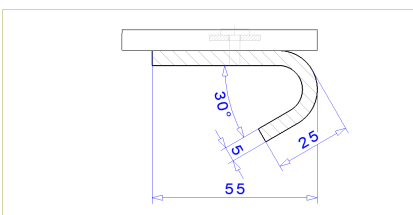
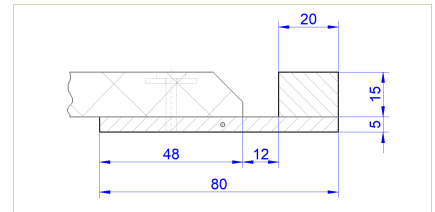
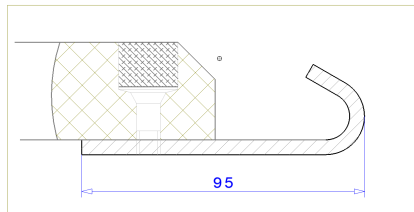
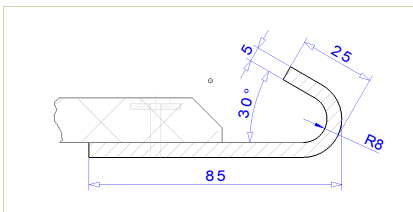
QUESTIONNAIRE REMASCREEN

7 PROBLEMS

<input type="checkbox"/> Service life	Wear	
<input type="checkbox"/> Grain separation	ÜK-/ UK-Tolerances	
<input type="checkbox"/> Cleaning	Pegging	
<input type="checkbox"/> Self-cleaning	Caking	
<input type="checkbox"/> Noise reduction	Sound insulation	
<input type="checkbox"/> Installation + maintenance	Time saving	
<input type="checkbox"/> Service	Support / Delivery time	

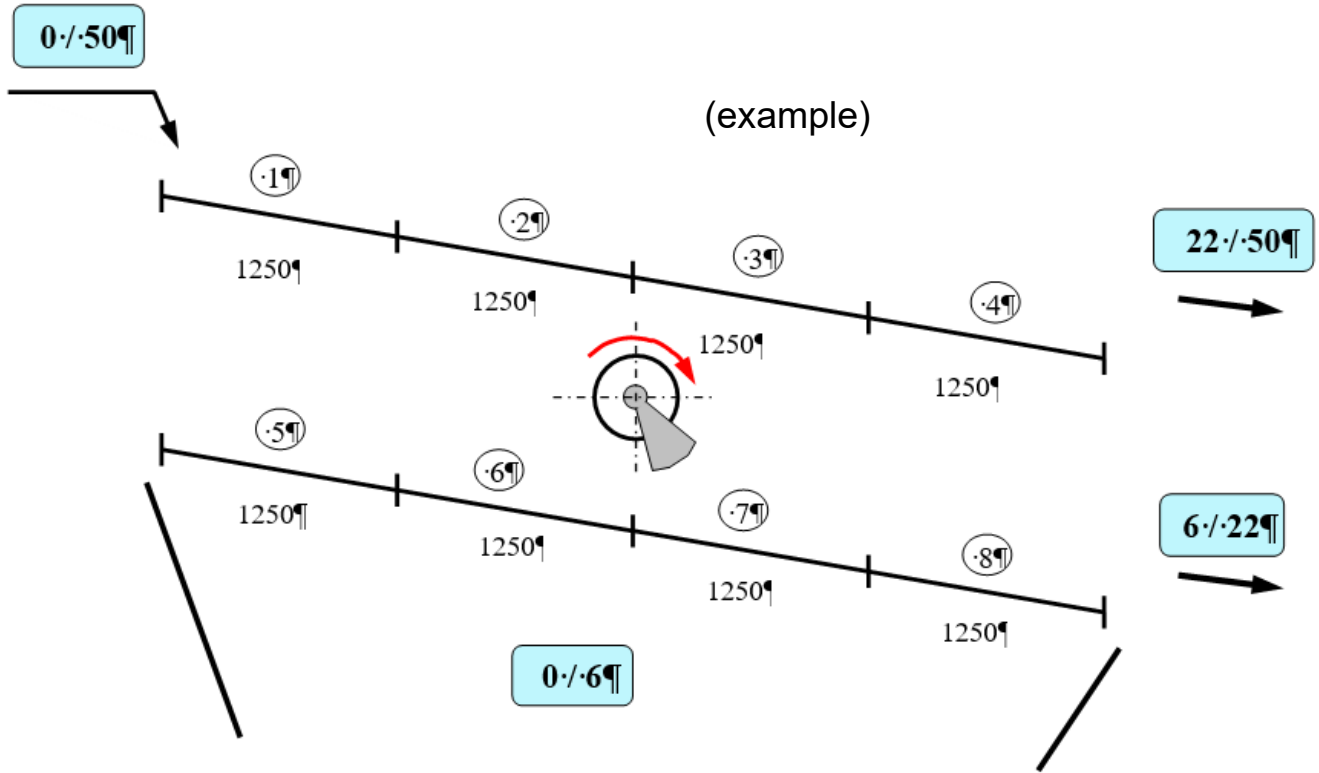
COMPETITION

existing screens	<input type="checkbox"/> Wire	<input type="checkbox"/> PUR	<input type="checkbox"/> Rubber	<input type="checkbox"/> Modul	<input type="checkbox"/> Steel	<input type="checkbox"/> Frames
Mesh width: mm	Thickness / Ø mm	Shore A: °	Quality :			
Competition / manufacturer:						



Notice:

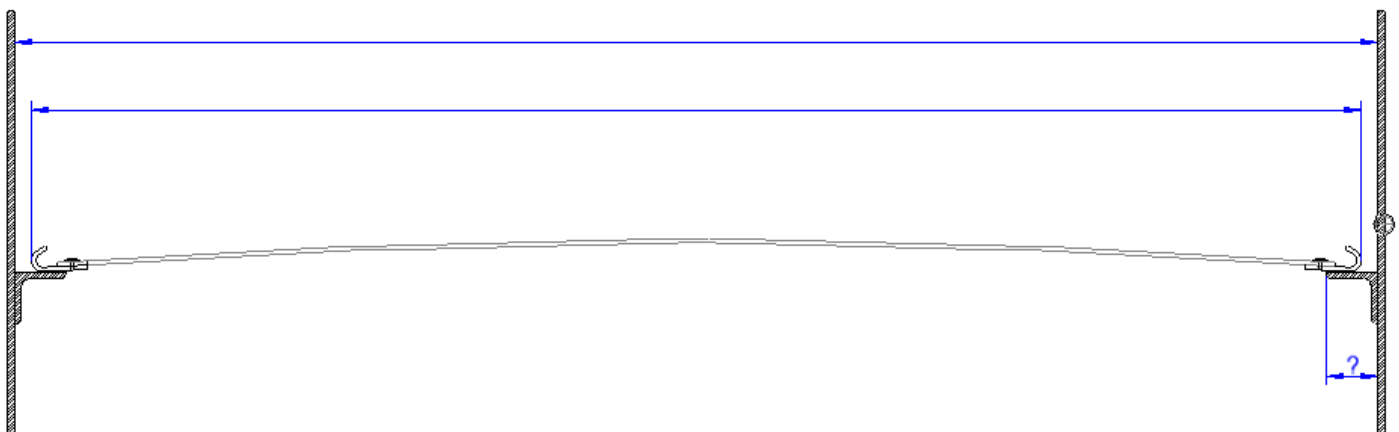
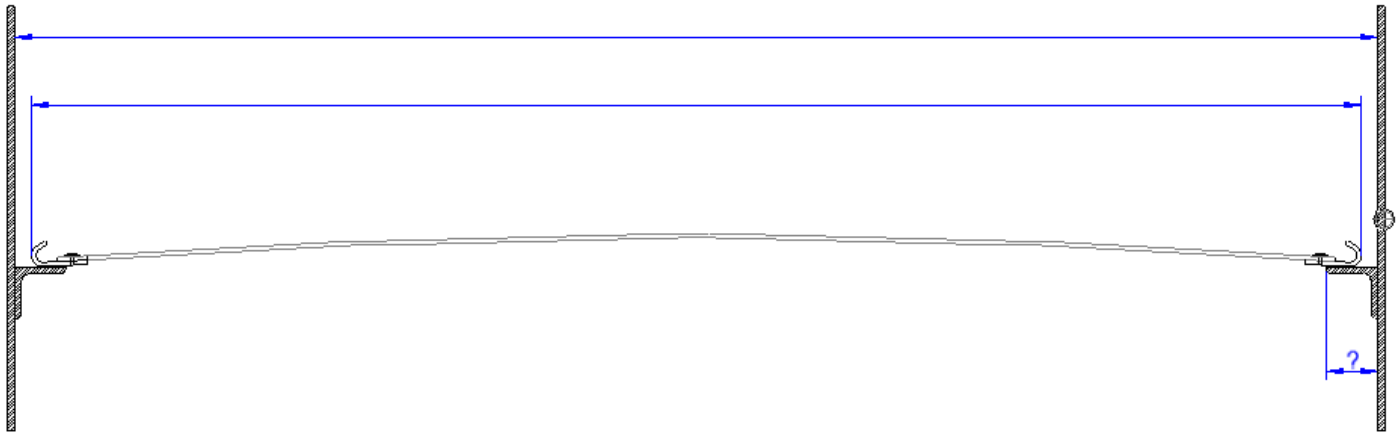
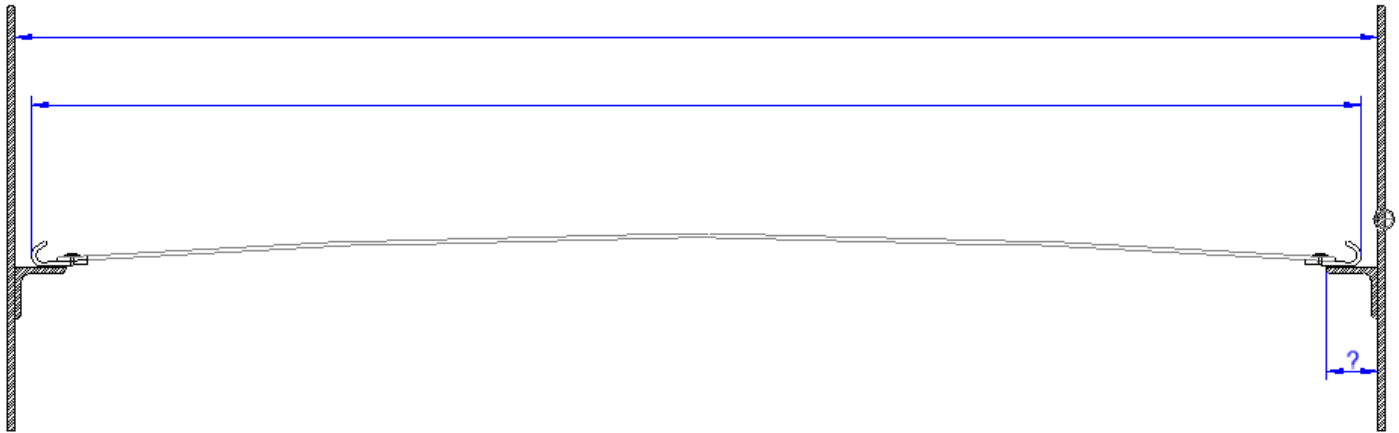
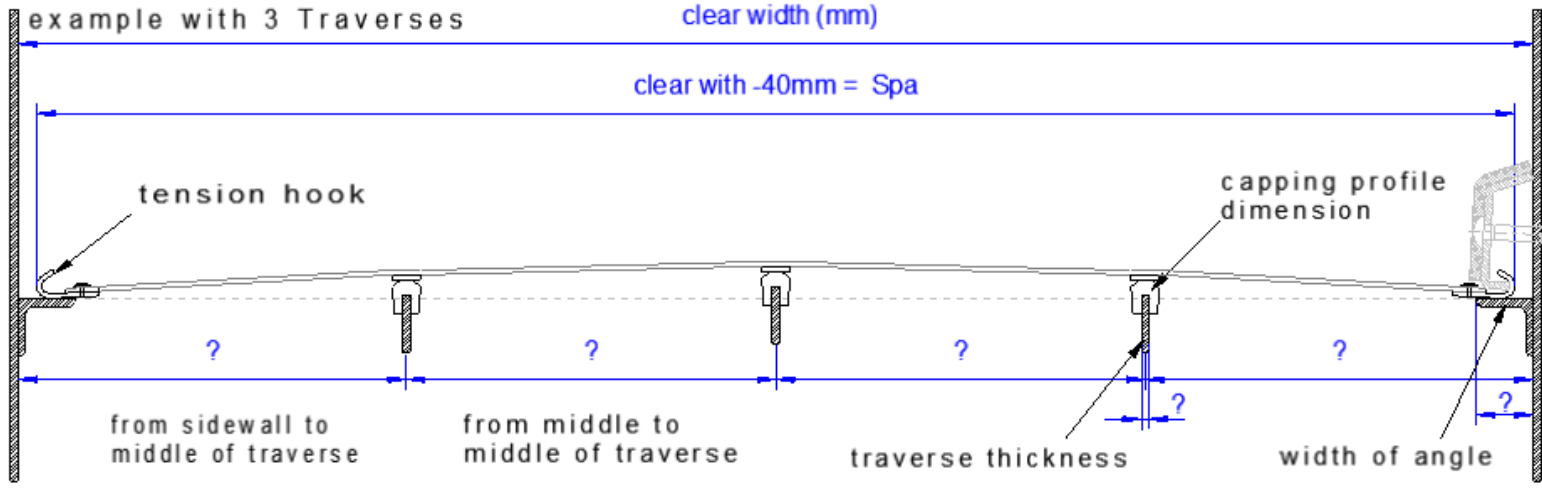
**SKETCH OF SCREEN MACHINE OCCUPANCY
(LONGITUDINAL SECTION, NUMBER OF DECKS)**



SKETCH: CROSS SECTION, TRAVERSES, SIDE ANGLES



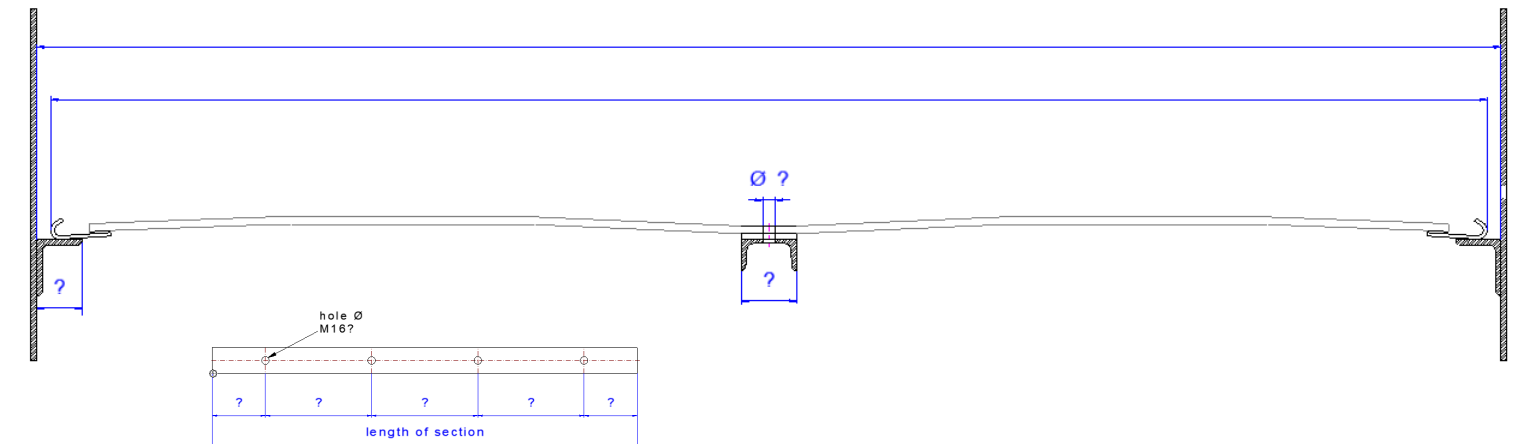
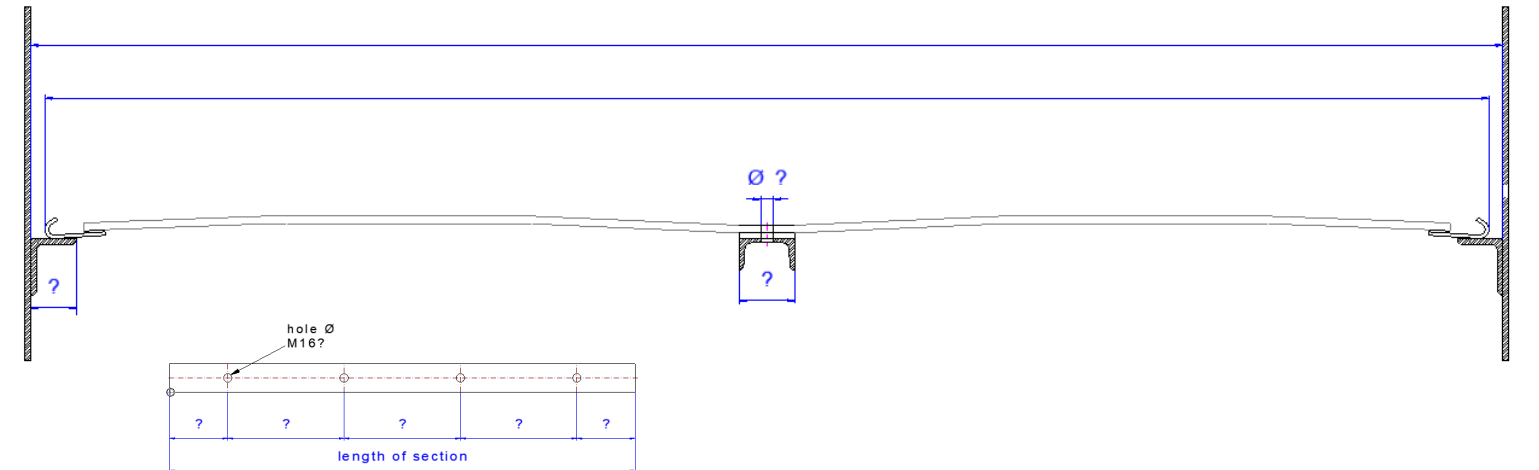
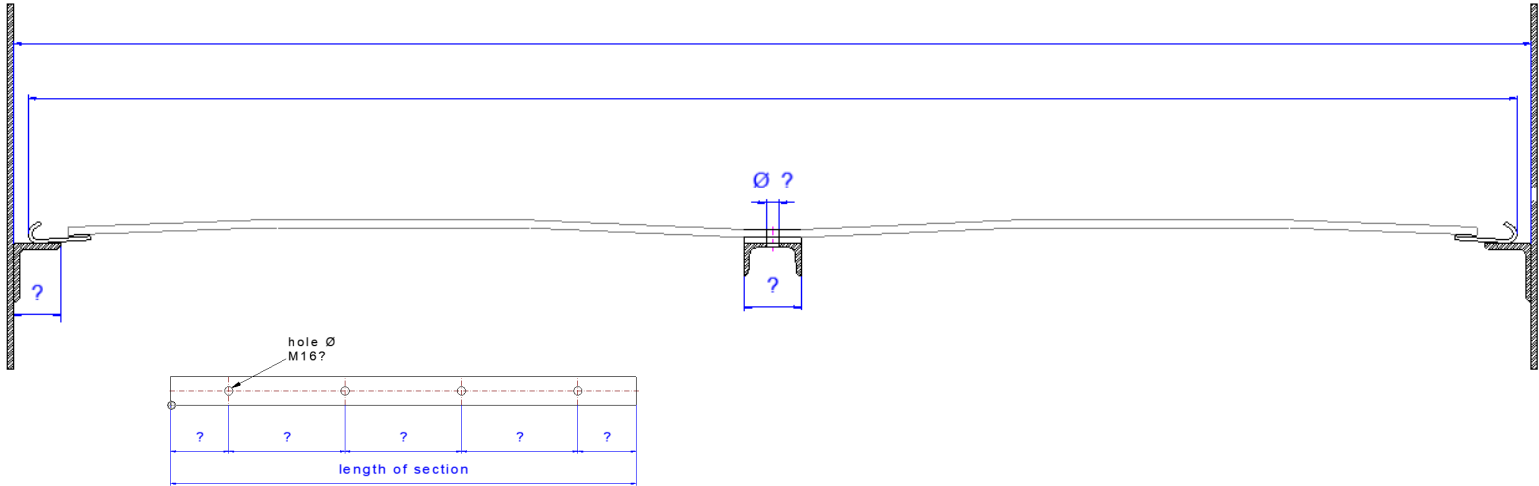
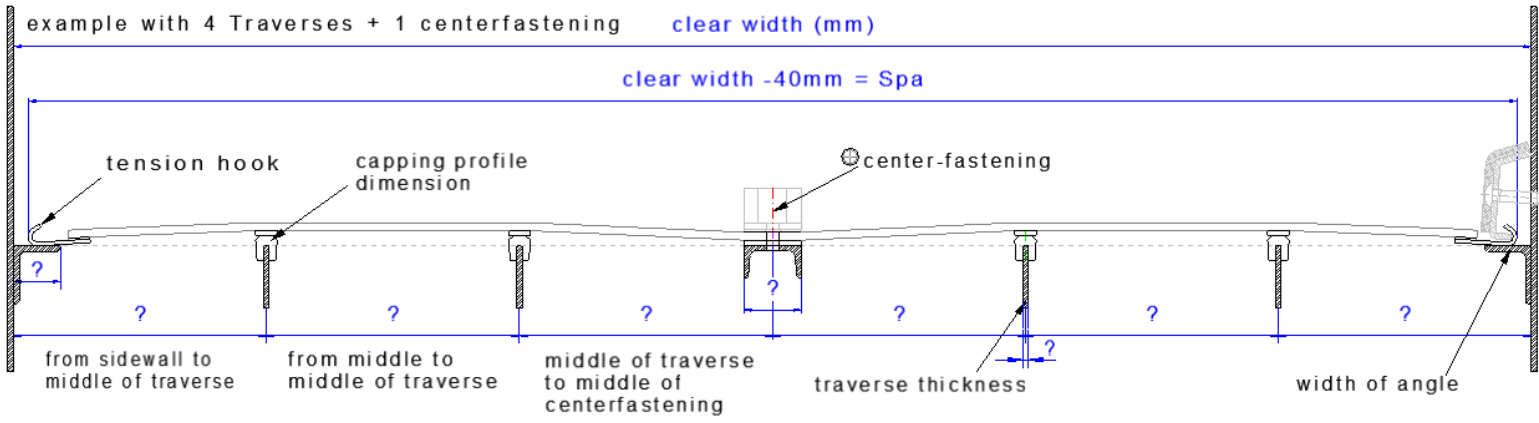
ONE BRAND ONE SOURCE ONE SYSTEM



SKETCH: CROSS SECTION, TRAVERSES, CENTER, SIDE ANGLES



ONE BRAND ONE SOURCE ONE SYSTEM



SKETCH: CROSS SECTION, TRAVERSES, CENTER, SIDE ANGLES



ONE BRAND ONE SOURCE ONE SYSTEM

